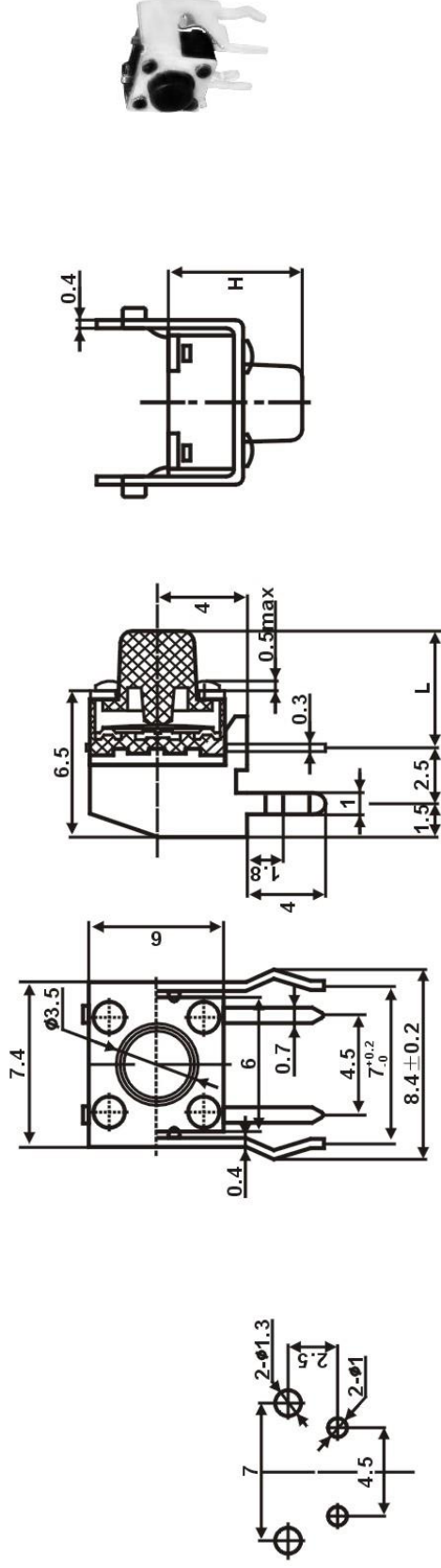


TSS-TC-0202



General Tolerance: $\pm 0.2\text{mm}$

CODE	OPERATING FORCE(gf)
T	100±30
V	130±30
X	160±50
W	170±50
Y	190±50
Z	250±100

SPECIFICATIONS

1. RATING:DC 12V 50mA
2. TRAVEL:0.25±0.1mm
3. CONTACT RESISTANCE 100mΩ MAX
4. LIFE: normal 50,000~100,000 times
(over 100,000 times on request)

**We can supply below H, please send us your inquiry by e-mail and remark what stem length you need.

4.3mm, 4.5mm, 5mm, 5.5mm, 6mm, 6.5mm, 7mm, 7.5mm, 8mm, 8.5mm, 9mm, 9.5mm, 10mm, 10.5mm, 11mm, 11.5mm, 12mm, 13mm, 14mm, 15mm, 16mm, 17mm, 18mm, 19mm, 20mm, 21mm

Note: Specification are subject to change without notice. For more detail and update, please visit our website.